

LIVING DISTRICT

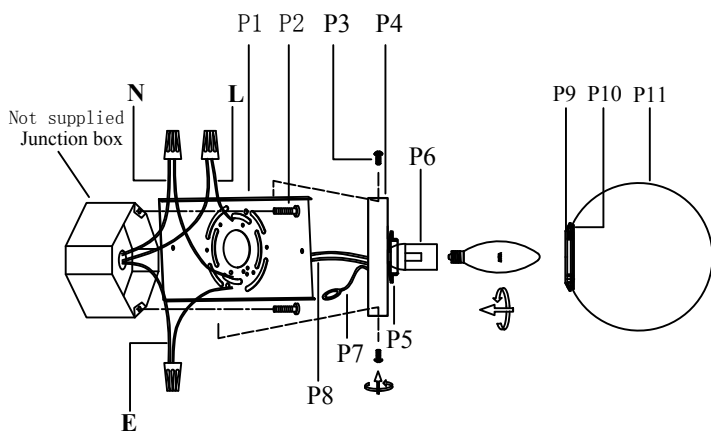
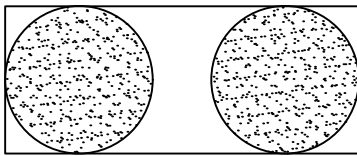
Collection:Milo

Installation manual for:

LD7303W14BLK W14.2"*E6.9" H5.9" L2

Installation instructions:

1. Black wire from ceiling(junction box) attaches to "L"wire from the fixture.
 2. White wire from ceiling(junction box) attaches to "N"wire from the fixture.
 3. "E" wire from the fixture is attached to the mounting bracket and an additional "E" wire from the mounting bracket must be secured to the junction box.
 4. Secure mounting bracket to the junction box.
 5. Insert the mounting bracket screw(P2) into the mounting bracket (P1).
 6. Use the screw(P3) to lock the lamp body onto the mounting bracket (P1) on the wall.
 7. Install E12 light source.(Bulbs not supplied) .
 8. Twist the glass shade(P11) onto the lamp body.
- The end!



Part Number	Part	Picture	Description	Qty
MB7S15	P1		Mounting bracket L9.4"*W5.7"	1
	P2		Mounting bracket screw	2
P-LD7303W14BLK-1	P3		Screw	4
	P4		Backplate (L14.2"*W5.9")	1
	P5		Aluminum ring Φ2"*H0.4"	2
	P6		E12 holder	2
	P7		UL18#Ground wire,L9.8"	1
	P8		UL18#,L8"	1
	GS7R02BK	P9		Aluminum ring Φ2.7"*H0.3"
P10			Plate Φ1.8"*T0.1"	2
P11			Glass shade Φ5.9"*H5.7"	2

"L" = Hot wire

"N" = Neutral wire

"E" = Ground wire